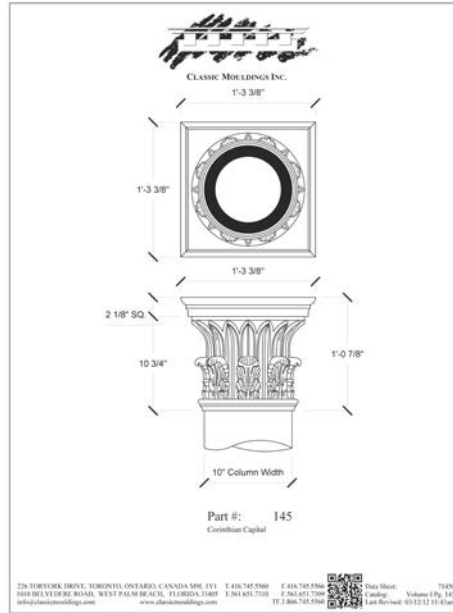


NEW PRODUCTS DESIGNS, SPECIFICATION SHEETS AND CAD FILES

New designs are created every week and we are now presenting these through our Specification Database.

This is an ongoing project and will include old and new items presented with a 3D image to give you and/or your client, a clearer picture than is currently seen in the majority of the catalog presentations.

Many Architects and Designers are finding that these specification sheets alleviate the need for samples.



CAD Files

If we have a Specification sheet, we have a CAD file and this is available on specific request to approved clients.

E-mail request for cad files to e-specs@classicmouldings.com

At this time CAD Files are not available directly from our website.

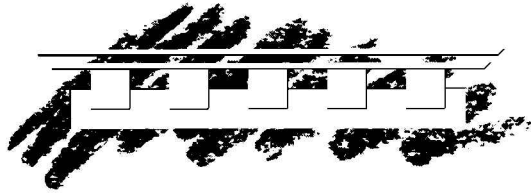
SEARCH

You can search by part number and/or other important features.

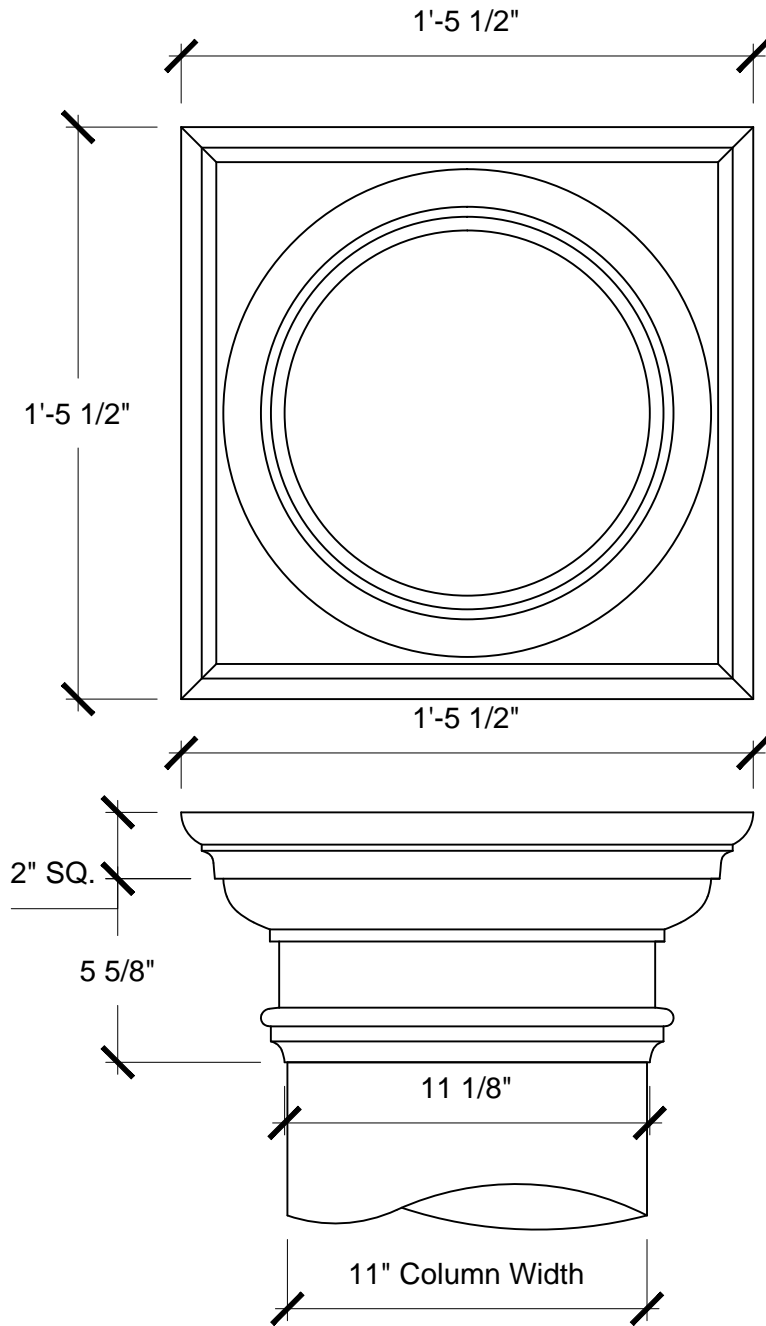
Part numbers can be from three to five digits.

Features such as *Acanthus*, *Dentil* or *Greek Key* can be used in your search.

If you cannot find a suitable design or size, in either our catalogues or our new specification sheets, please contact us directly to find or custom manufacture a part that meets your needs.

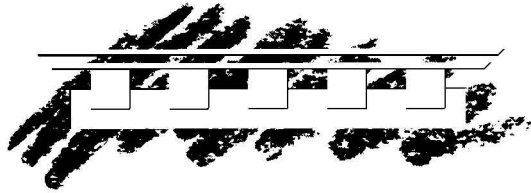


CLASSIC MOULDINGS INC.

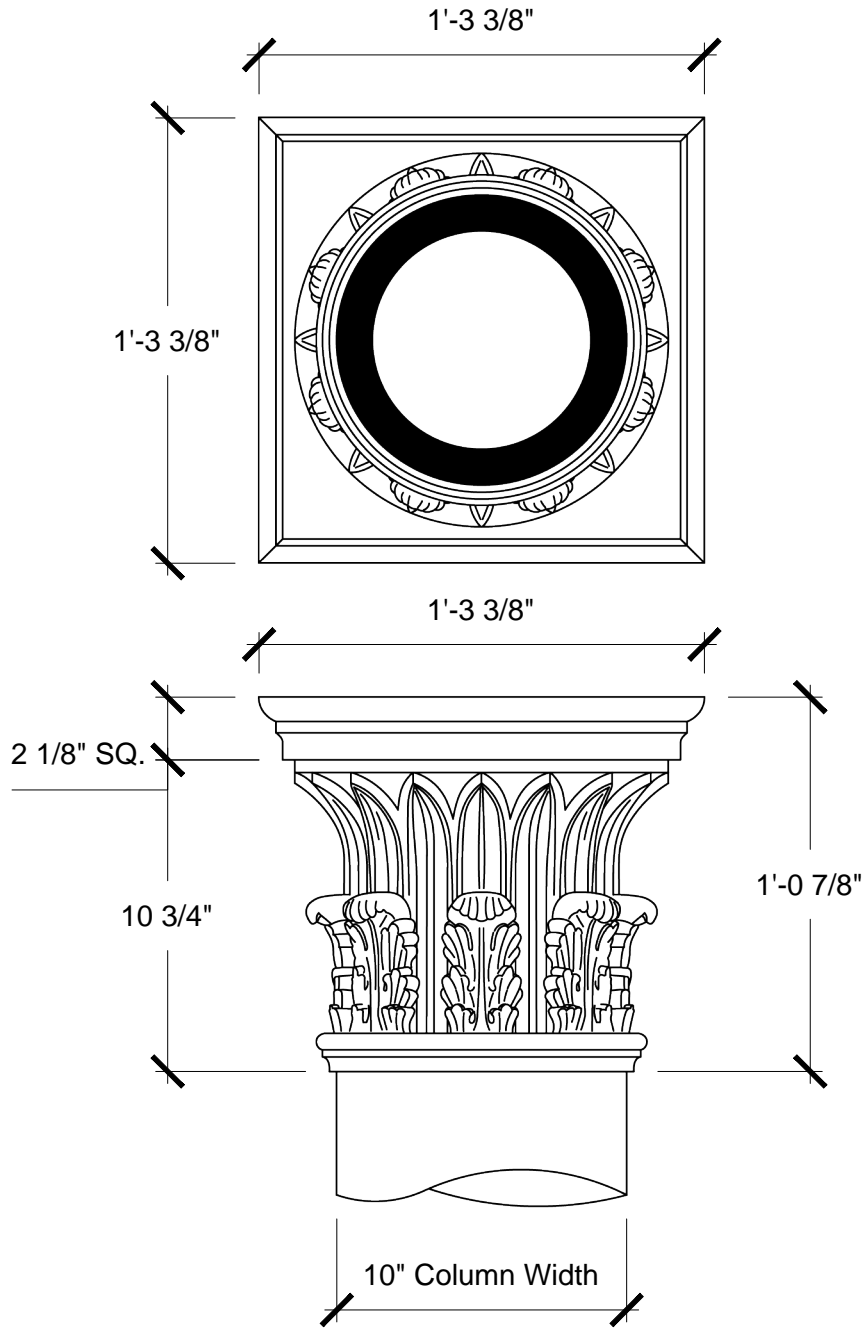


Part #: 70010
Tuscan Capital



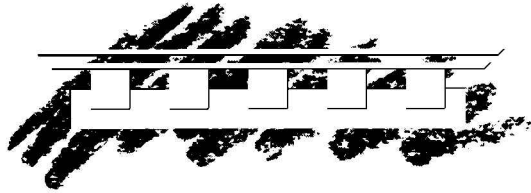


CLASSIC MOULDINGS INC.

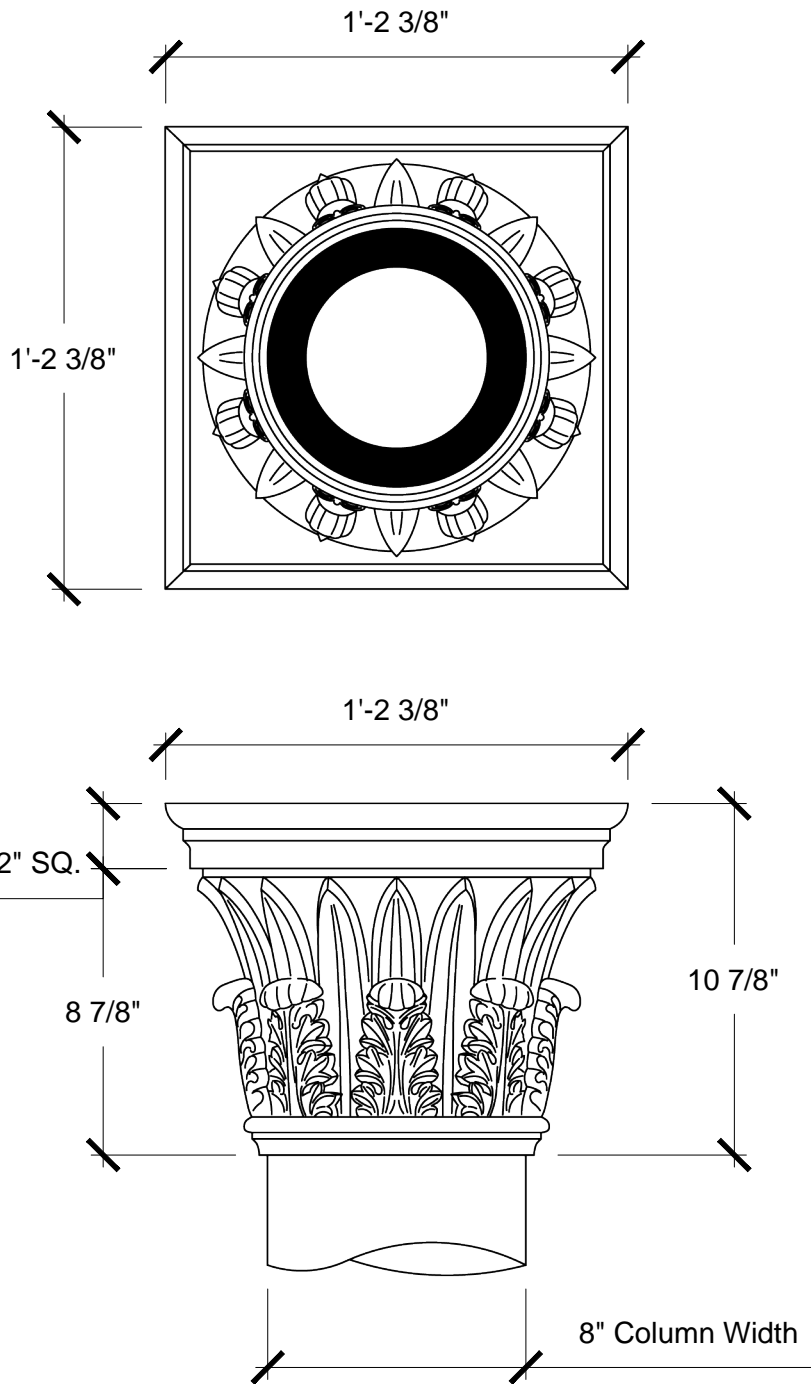


Part #: 145
Corinthian Capital



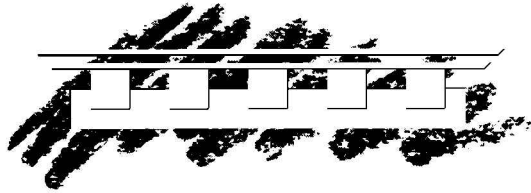


CLASSIC MOULDINGS INC.

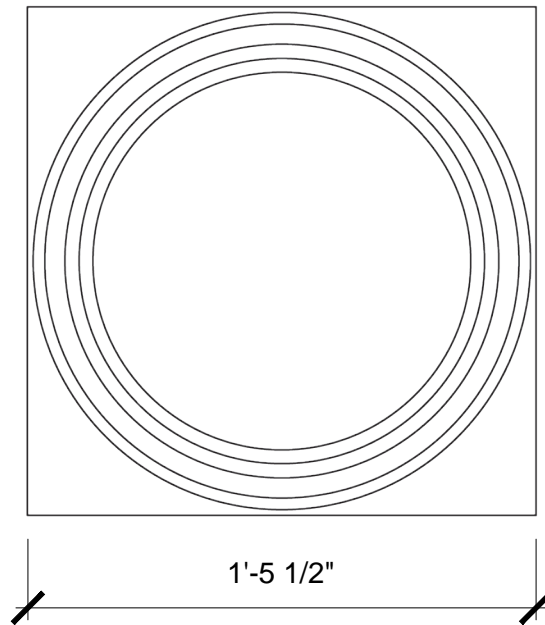
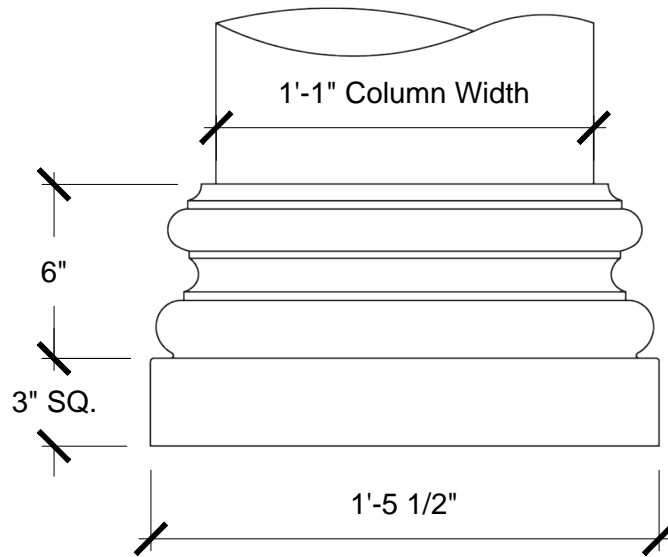


Part #: 146
Corinthian Capital



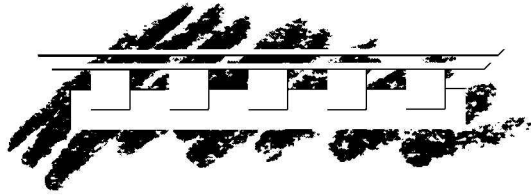


CLASSIC MOULDINGS INC.

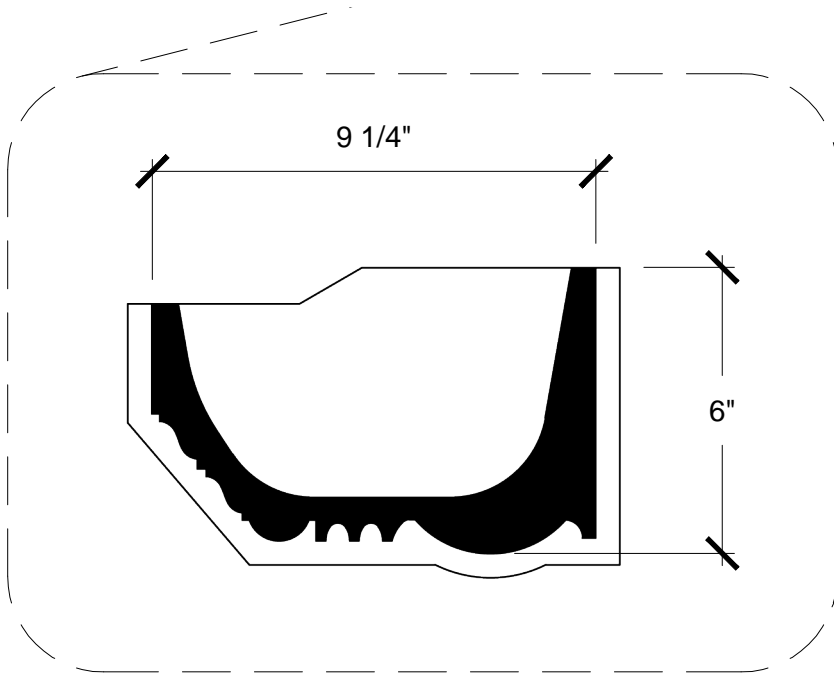
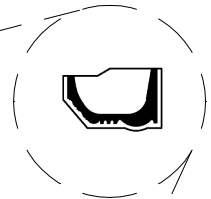
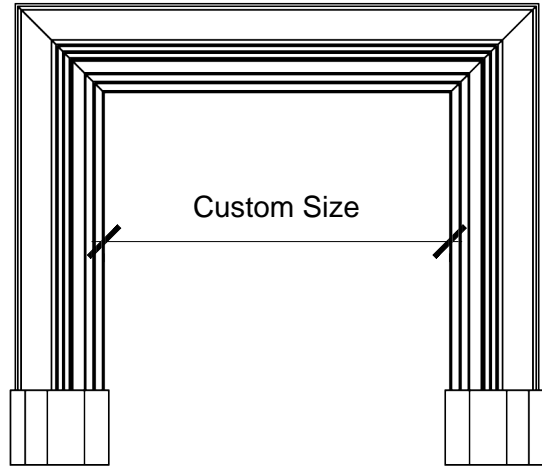


Part #: 155
Double Ring Base



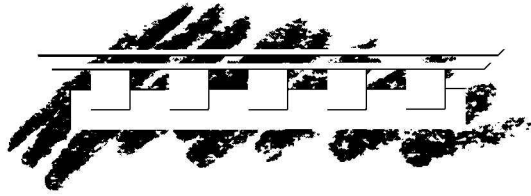


CLASSIC MOULDINGS INC.

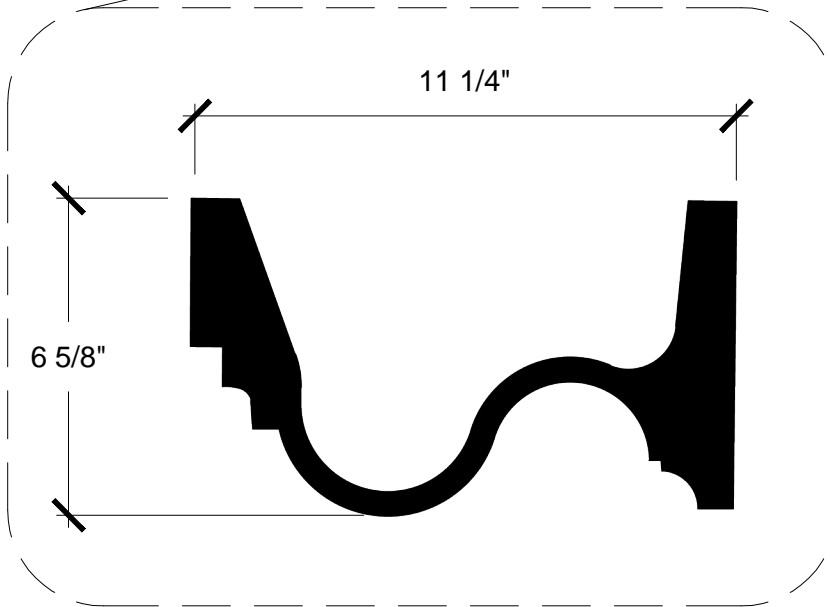
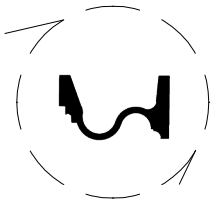
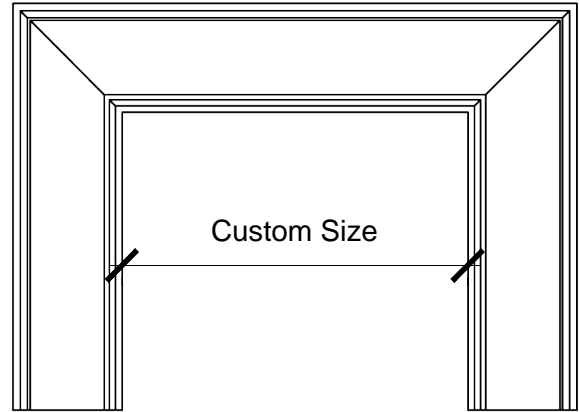


Part #: Type Q
Edwardian Mantel





CLASSIC MOULDINGS INC.



Part #: Type R
Contemporary Mantle

